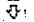

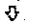

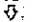


Home > Maintenance

Cleaning Inside the Scanner

-  Opening the Scanner Cover
-  Cleaning the Glass Surface
-  Cleaning the Paper Path Rollers
-  Cleaning the Separation Pad
-  Cleaning the Paper Feed Roller

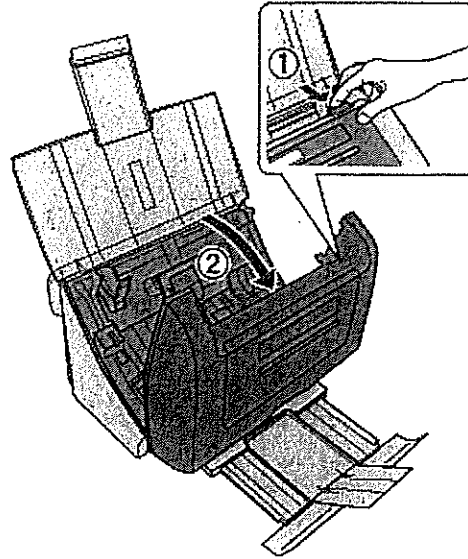
If scanned images have streaks or if scanned documents become dirty, clean inside the scanner.

Caution:

- ✦ Do not press the glass surface inside the scanner with any force.
- ✦ Be careful not to scratch or damage the glass surface inside the scanner, and do not use a hard or abrasive brush to clean it. A damaged glass surface can decrease the scan quality.
- ✦ Never use alcohol, thinner, or corrosive solvent to clean the scanner. These chemicals can damage the scanner components and the case.
- ✦ Be careful not to spill liquid into the scanner mechanism or electronic components. This could permanently damage the mechanism and circuitry.
- ✦ Do not spray lubricants inside the scanner.

Opening the Scanner Cover

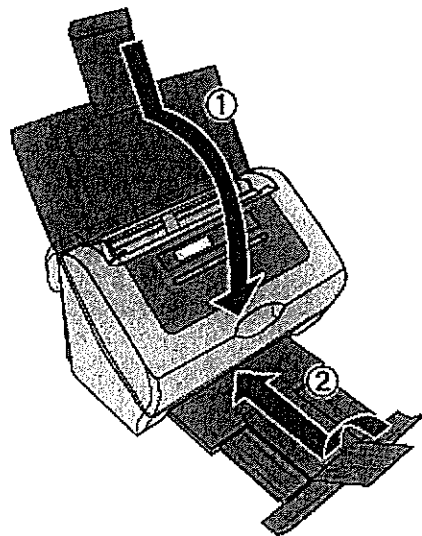
- 1** Turn off the scanner.
- 2** Remove all paper from the input tray.
- 3** Unplug the AC adapter from the scanner.
- 4** Pull the lever and open the scanner cover.



After opening the scanner cover, see the following sections:

- ☰ Cleaning the Glass Surface
- ☰ Cleaning the Paper Path Rollers
- ☰ Cleaning the Separation Pad
- ☰ Cleaning the Paper Feed Roller

5 When finished cleaning, close the input tray and output tray.

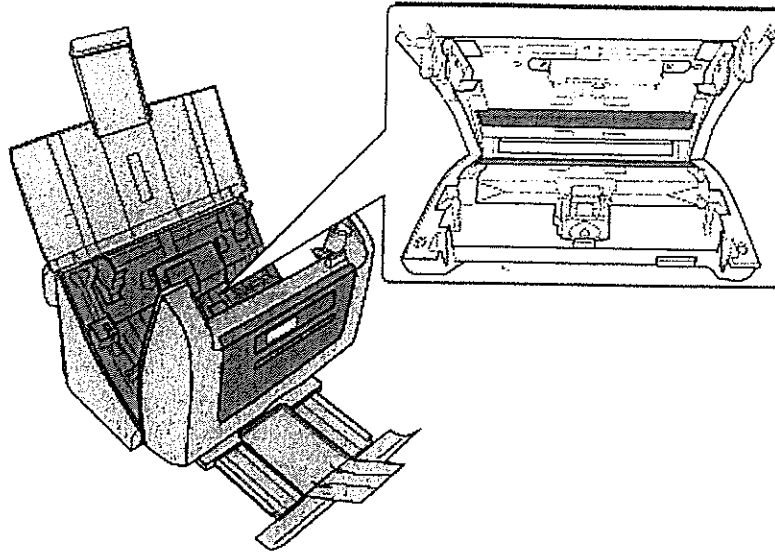


Top

Cleaning the Glass Surface

1 Open the scanner cover. See Opening the Scanner Cover for instructions.

- 2 If the glass surface inside the scanner gets dirty, clean it with a soft, dry, lint-free cloth. If the glass surface is stained with grease or some other hard-to-remove material, use a small amount of glass cleaner with a soft cloth to remove it. Wipe off all remaining liquid.



Caution:

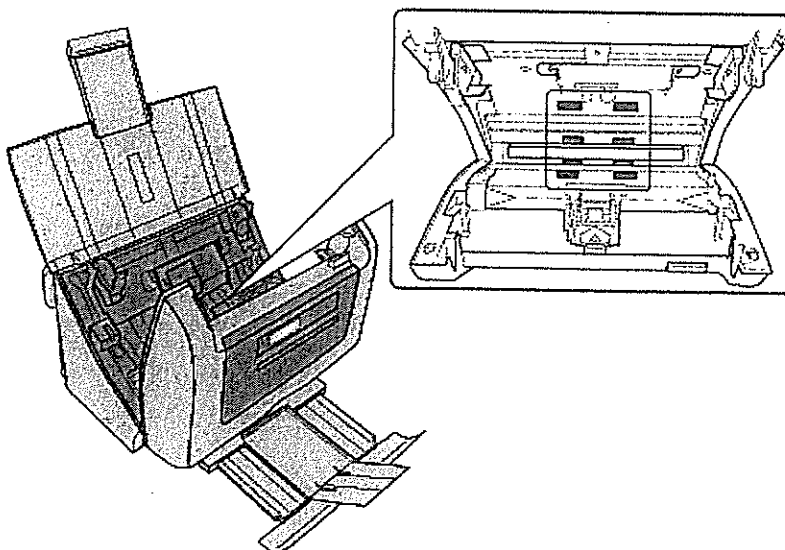
Do not spray glass cleaner directly on the scanner glass.

Make sure that no dust builds up on the glass surface inside the scanner. Dust can cause abnormalities or lines in your scanned images.

Top 

Cleaning the Paper Path Rollers

- 1 Open the scanner cover. See Opening the Scanner Cover for instructions.
- 2 Wipe the rollers with a lint-free cloth dampened with water and thoroughly wrung out.

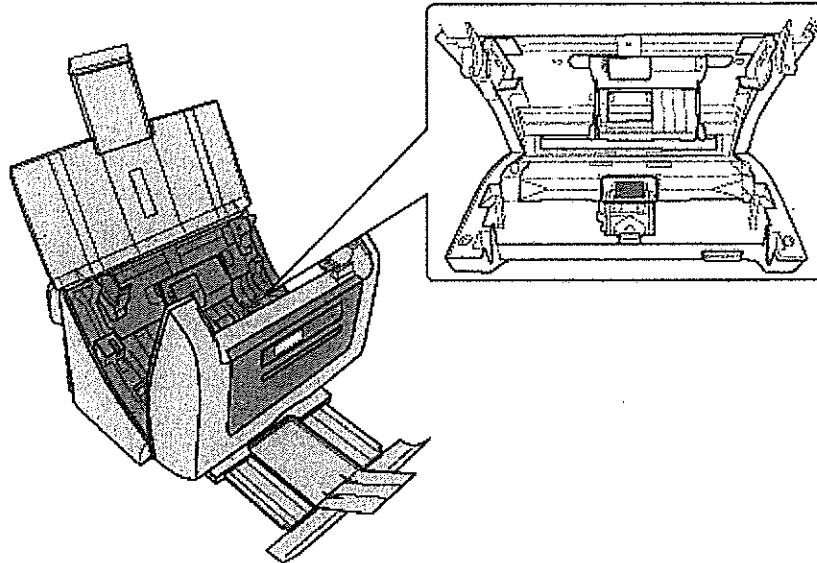


- 3 Wipe off all remaining liquid with a soft, dry, lint-free cloth.
- 4 Make sure that the rollers are completely dry before using the scanner.

Top 

Cleaning the Separation Pad

- 1 Open the scanner cover. See Opening the Scanner Cover for instructions.
- 2 Wipe the separation pad downward with a lint-free cloth dampened with water and thoroughly wrung out.



Caution:

Be careful not to get the cloth caught on the pick spring.

- 3 Wipe off all remaining liquid with a soft, dry, lint-free cloth.
- 4 Make sure that the separation pad is completely dry before using the scanner.

Top 

Cleaning the Paper Feed Roller

- 1 Open the scanner cover. See Opening the Scanner Cover for instructions.
- 2 Wipe the roller lightly with a lint-free cloth dampened with water and thoroughly wrung out.